

# Addressable Manual Pull Station Series 3300



A UTC Fire & Security Company

Effective: October 2007  
K-84-11

## FEATURES

- **Exclusive KIDDE® Design**
- **Unique Field Labeling for either Fire Alarm or Suppression Applications**
- **Dual Action Operation**
- **Interfaces directly to Kidde Addressable Control Panel SLC Communication Loop**
- **FM Approved**
- **cULus Listed for US and Canada**
- **Other domestic approvals in process**
- **Surface and Weatherproof Backboxes**
- **Flashing LED**
- **Keylock for Reset**

## DESCRIPTION

The Kidde® Addressable Manual Pull Stations is an intelligent initiating device that contains its own SmartOne™ Addressable Input (AI) module and interfaces directly to the Kidde PEGAsys™ and ARIES™ control panels. The initiating device circuit is wired as NFPA Class B.

The Manual Pull Station is constructed of heavy die-cast aluminum for long life and uses an internal toggle switch for reliable operation.

Similar to other SmartOne devices, the unit is field programmable using the control panel keypad or Hand-Held Programmer. The owner location message and reporting type can be customized by the use of a programming utility utilized with the control panel. A status LED is mounted on the unit and indicates the status by a 2 or 9 second flash interval. A Trouble condition inhibits the status LED completely.

While the Pull Station is designed for quick, efficient emergency response, its double action PUSH/PULL levers prevent accidental operation.

The Pull Station can be mounted in an indoor or outdoor weatherproof backbox (Model SBG-32S or Model SGB-32C) or a North American 2-1/2 in. (64 mm) deep single-gang box.

The Station terminal block on the AI module accepts 14, 16 and 18 AWG (1.5 mm<sup>2</sup>, 1.0 mm<sup>2</sup>, and 0.75 mm<sup>2</sup>) wire. Size #18 is the minimum requirement.

## FIRE ALARM OR SUPPRESSION RELEASE LABELING

The Pull Station has a unique labeling method which provides the installer the greatest amount of flexibility without the expense of having to carry extra inventory. Seven heavy-duty Lexan® self-adhesive labels are shipped with each station:

- **FIRE ALARM**
- **CO<sub>2</sub> RELEASE**
- **FIRE SYSTEMS RELEASE**
- **NOVEC 1230 RELEASE**
- **FM-200 RELEASE**
- **FE-13 RELEASE**
- **HALON-1301 RELEASE**



## SPECIFICATIONS

Station Type:	Double Action, with integral SmartOne Addressable Module
Initiating Device Circuit:	Style B (Class B) Wiring
EOL Resistor Value:	10 K Ohm (06-129025-003)
Max. Circuit Resistance:	50 Ohm (25 ohm per conductor)
Max. Circuit Capacitance:	0.1µF
Operating Temperature Range:	-40°F to 150°F (-40°C to 66°C)
Operating Humidity Range:	0-95% RH
Construction:	Die-cast metal housing
Compatible Electrical Boxes:	Indoor: Sheet metal Model SGB-32S Outdoor: Weatherproof Die-cast Model SGB-32C
Shipping Weight:	1.12 lbs. (510 g)

### SGB-32S INTERIOR SURFACE BACKBOX

Dimensions:	4-3/4 in. H x 3-1/4 in. W x 2-1/4 in. D
Construction:	Steel sheet metal.
Conduit:	Two knockouts for 1/2 in. conduit connectors, one on top and bottom.
Mounting:	Mounts to the box with (4) 8/32 screws, which ship with each box.

### SGB-32C WEATHERPROOF SURFACE BACKBOX

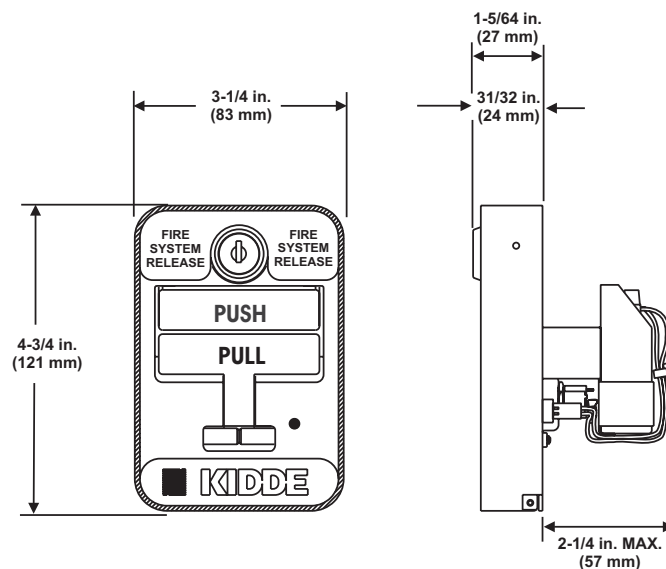
Dimensions:	4-3/4 in. H x 3-1/4 in. W x 2-1/4 in. D
Construction:	Cast aluminum.
Conduit:	One threaded opening for 1/2 in. conduit connector.
Mounting:	Mounts to the box with (4) 8/32 screws and a foam gasket, which ship with each box.

## ORDERING INFORMATION

Part Number	Description
84-330002-001	Addressable, Double Action Manual Pull Station — ships with mounting hardware, 2 keys, 1 break rod, and label set.
70-407008-001	Addressable Input Module (Normally Open Devices)
84-100009-001	SGB-32S Indoor Backbox
84-100009-002	SGB-32C Outdoor Waterproof Backbox
06-129025-003	10 K Ohm Resistor
84-100008-002	Pkg. of (12) Breakrods
06-118013-001	Spare Key
06-231866-930	Label Set

## DIMENSIONS

(shown with Fire System Release Label installed)



Kidde is a registered trademark of Kidde-Fenwal, Inc.  
 SmartOne is a trademark of Kidde-Fenwal, Inc.  
 FM-200 is a registered trademark of the Great Lakes Chemical Corporation.  
 3M and Novec are trademarks of 3M.  
 FE-13 is a trademark of DuPont.  
 Lexan is a registered trademark of the General Electric Company.

This literature is provided for informational purposes only. KIDDE-FENWAL, INC. assumes no responsibility for the product's suitability for a particular application. The product must be properly applied to work correctly. If you need more information on this product, or if you have a particular problem or question, contact KIDDE-FENWAL, INC., Ashland, MA 01721. Telephone: (508) 881-2000.